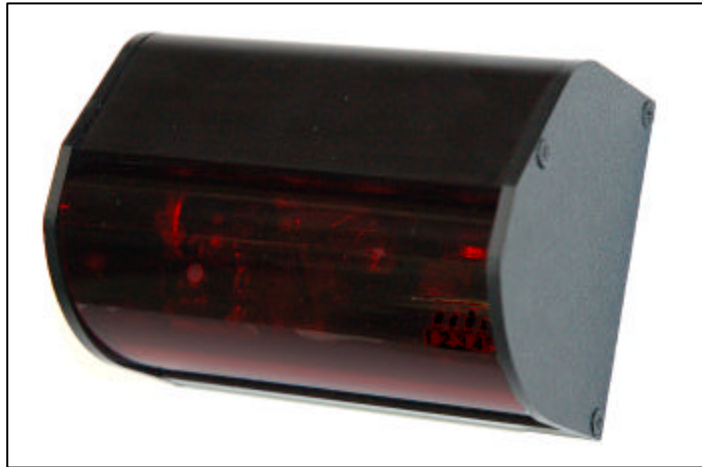


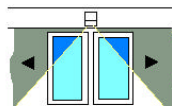
# TRITON CONTROLS

## DS-70 FLUSH MOUNTED MINIATURE RADAR SENSOR



A NEW **LOW COST** RADAR SENSOR FROM TRITON CONTROLS

- ***Long reach and wide approach detection***
- ***Robust weatherproof design***
- ***IP 54 Environmental protection***
- ***Adjustable hold open delay***
- ***Wide supply voltage range***
- ***Radar head adjustable in 2 planes***
- ***Relay output, NO or NC contacts available***
- ***Simple to install and adjust***
- ***Suitable for architectural or industrial doors***
- ***Attractive housing***



IN CONTROL



TRITON CONTROLS LTD., UNIT 2, RANDOLPH INDUSTRIAL ESTATE, EVENWOOD,  
BISHOP AUCKLAND, CO. DURHAM DL14 9SJ

Tel. +44 (0) 1388 833000 Fax +44 (0) 1388 833680

web. [www.tritoncontrols.co.uk](http://www.tritoncontrols.co.uk)

e-mail [info@tritoncontrols.co.uk](mailto:info@tritoncontrols.co.uk)

## FEATURES

The DS70 has a semi-circular beam pattern that enables a wide angle of approach for bi-parting sliding doors.

- CE marked and fully EMC suppressed.
- Versatility of supply. Power Supply
- 11-28.5v AC/DC
- Ease of adjustment. Sensitivity (Range) adjusted by a single easily accessed control.
- Radar head swivels in 2 planes
- Hold open delay adjustable up to 5 secs.
- Simple installation. Equipped with easily accessible screw terminal connector.
- Relay output with change over contacts for fully “volt free” operation
- Controls readily accessible under “snap-on” front cover
- Black anodised aluminium case with dark red acrylic front cover

## SPECIFICATION

**Power supply** 10.5-28.5VAC  
10.5-30VDC  
**Power requirements** 2.5VA  
**Current draw** 50mA @24VDC  
**Output relay...N.O. & N.C. contacts**  
**Max horizontal range** up to 10M

**Mounting height.....** up to 4.5M  
**Transmitter frequency** 24.125GHz  
**Transmitter Power** 30mW typical  
**Protective class** IP54  
**Operating temperature** -20 to+50°C

**Cable length** 2M  
**LED Indicator** lit on activation  
**Hold open delay adj** 0 to 5 secs

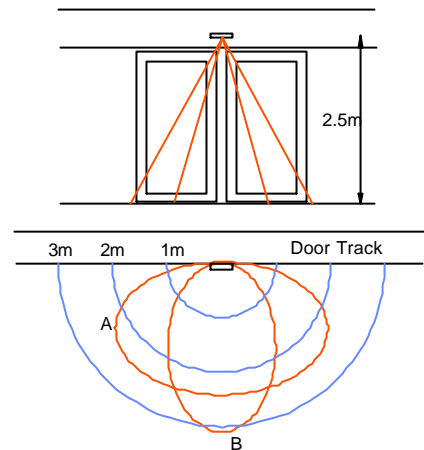
## ADJUSTMENTS

The ground plans, figs 1 , illustrates the possible coverage patterns depending on range setting and antenna angle.

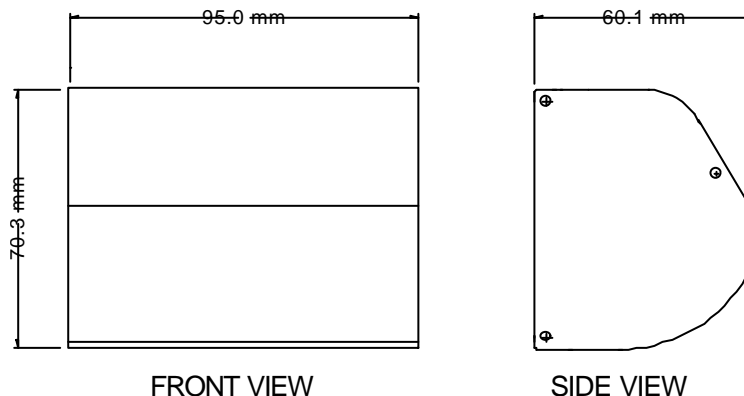
By adjusting the angle of the antenna the detection pattern can be changed between circular, elliptical lateral to elliptical longitudinal.

The sensitivity control , which is easily accessed from the front of the unit, determines the size, rather than the shape, of the detection area and can, therefore, be regarded as a **Range** control.

Fig 1. BEAM PATTERN



## OUTER DIMENSIONS



## TRITON CONTROLS LTD

UNIT 4A EVENWOOD INDUSTRIAL ESTATE, BISHOP AUCKLAND, CO DURHAM. DL14 9SF  
TEL. +44 (0)1388 833000 FAX +44 (0)1388 833680 VAT No. GB 654 1575 31 REG No. 2992798

Web: [www.tritoncontrols.co.uk](http://www.tritoncontrols.co.uk)

email: [info@tritoncontrols.co.uk](mailto:info@tritoncontrols.co.uk)