

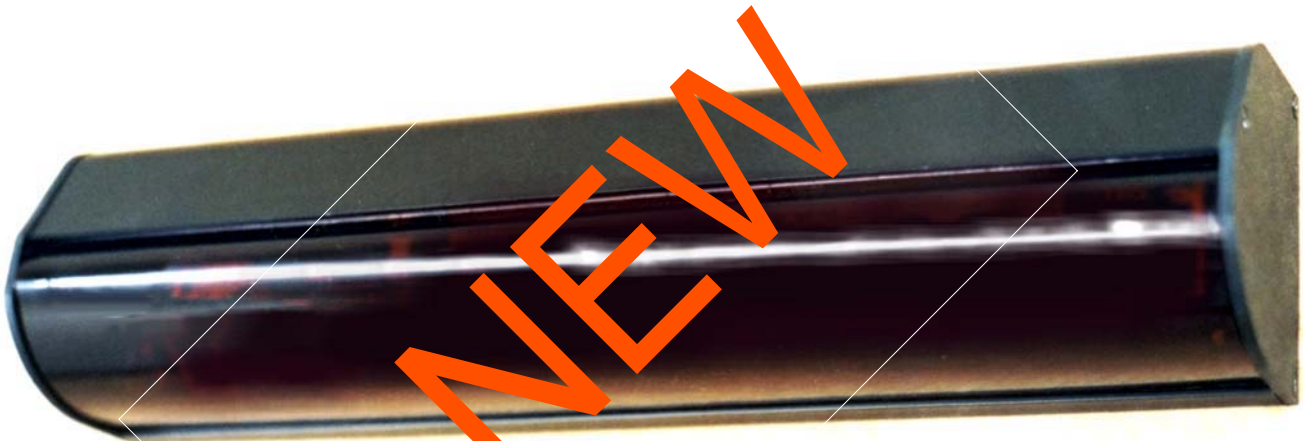


# TRITON CONTROLS

PRESENCE AND MOTION SENSOR

## DS-55

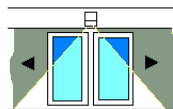
AUTOMATIC DOOR ACTIVATION AND SAFETY



**A NEW STANDARD OF SAFETY AND ACTIVATION  
COMBINING RADAR AND ACTIVE INFRARED TECHNOLOGY**

The DS-55 is a flush mounted automatic door sensor. By using radar technology for approach and active infrared technology for presence detection it provides a high level of performance. ( up to 3m approach reach and look back presence detection right up to the plane of the door).

- ***Long reach and wide approach detection***
- ***1 to 4 rows of presence detection***
- ***Programmable presence timer***
- ***Wide supply voltage range***
- ***Radar head adjustable in 2 planes***
- ***Relay output, NO or NC contacts available***



IN CONTROL



TRITON CONTROLS LTD., UNIT 2, RANDOLPH INDUSTRIAL ESTATE, EVENWOOD,  
BISHOP AUCKLAND, CO. DURHAM DL14 9SJ

Tel. +44 (0) 1388 833000 Fax +44 (0) 1388 833680

web. [www.tritoncontrols.co.uk](http://www.tritoncontrols.co.uk)

e-mail [info@tritoncontrols.co.uk](mailto:info@tritoncontrols.co.uk)

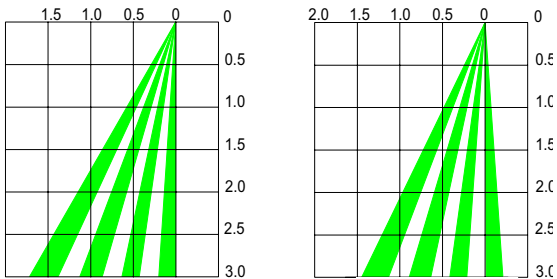
**FEATURES**

Reliability, simplicity and efficiency were the major considerations on which the design of the DS-55 was based. Both radar approach sensor and active infrared presence sensor are contained in a single black anodised aluminium case with a dark red acrylic snap on cover for full storm and vandal proof protection.

- Versatility of supply. Power input 11 to 28.5V ac/dc.
- CE marked and fully EMC suppressed
- Ease of adjustment. All controls are readily accessible under front cover.
- Independent control of presence and approach
- 1 to 4 rows of presence sensing with programmable presence timer.
- Simple to install
- Relay output with change over contacts for fully “volt-free” operation.

**PRESENCE DETECTION PATTERNS (IR)**

**PATTERN ANGLE ADJUSTMENT (SIDE VIEW)**



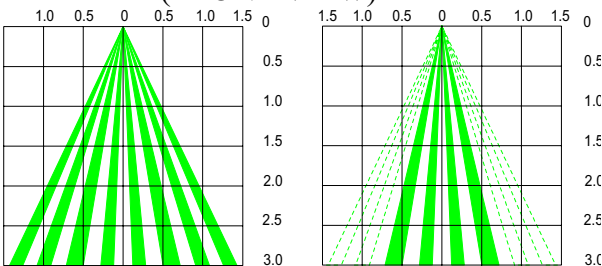
**MAX REACH**

The body of the sensor can be rotated 0° to 5° in 3 steps

**MIN REACH**

The outer 3 rows can be progressively deleted by operation of DIL switches

**(FRONT VIEW)**



**WIDE**

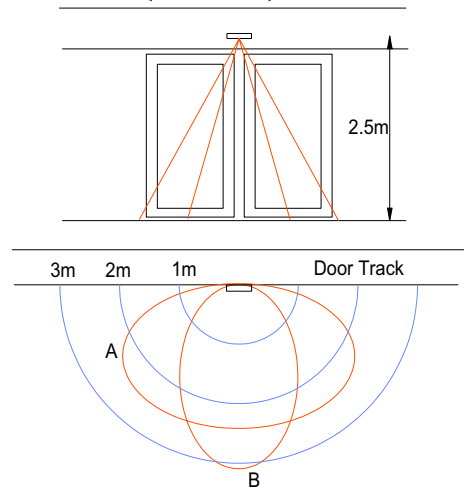
**NARROW**

Both side areas can be independently selected by screwdriver slot adjusters

**SPECIFICATION**

<b>Power supply</b>	10.5-28.5V ac; 10.5-30V dc
<b>Power requirements</b>	4.5VA
<b>Current draw</b>	120mA @ 24V dc
<b>Output relay</b>	N.O. & N.C. contacts 50V dc, 0.1A (resistive load)
<b>Mounting height</b>	Up to 3.0M
<b>Operating temperature</b>	-20 to +60°C
<b>Approach sensing</b>	Radar, transm' freq' 24.125GHz Radar head adjustable in both planes
<b>Presence sensing</b>	Active Infrared
<b>Presence sensing adjustments</b>	
	Body angle variation 5° in 3 steps
	Rows 2,3 & 4 turned off by DIP switch
	Width single or double leaf width
<b>Presence timer</b>	2, 15, 60, 180 sec (Dipswitch setting)
<b>LED indication</b>	
<b>Approach</b>	Red LED lit on detection
<b>Presence</b>	Red-detecting
<b>Protective class</b>	IP54
<b>Hold open delay</b>	Adjustable, 0 to 5 secs

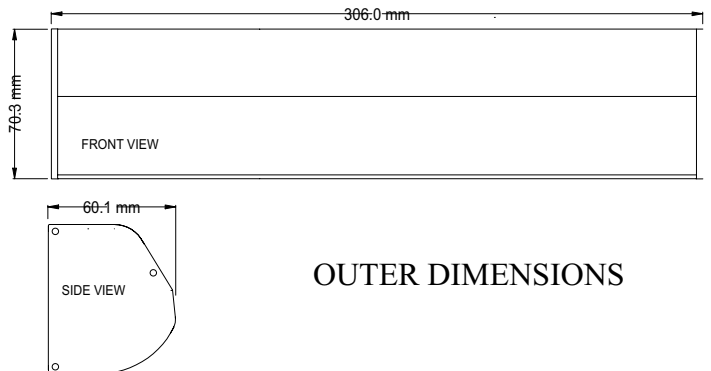
**APPROACH DETECTION PATTERN (RADAR)**



**A:** Tilt towards mounting face  
**B:** Tilt away from mounting face

By adjusting the angle of the antenna the detection pattern can be changed between circular, elliptical lateral or elliptical longitudinal.

The sensitivity determines the size, rather than the shape of the detection area and can, therefore, be regarded as a **Range** control.



**OUTER DIMENSIONS**